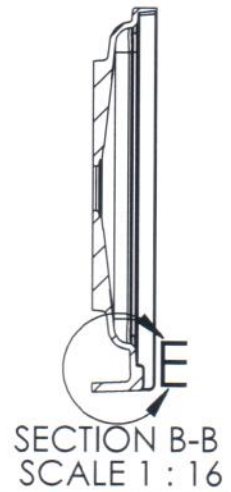
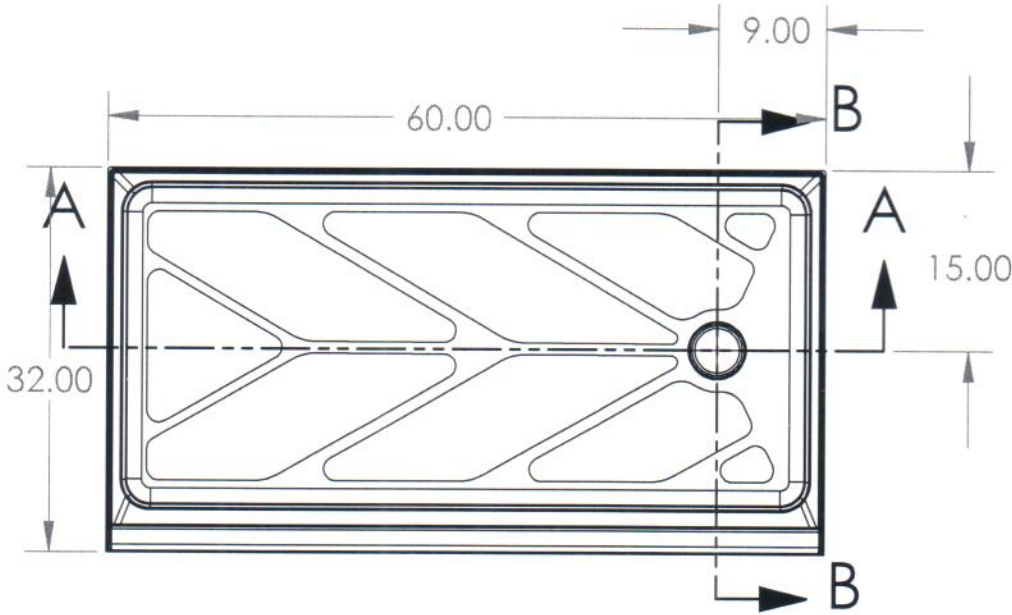
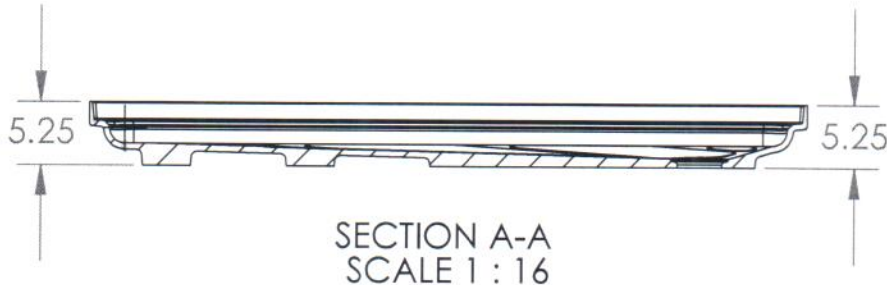
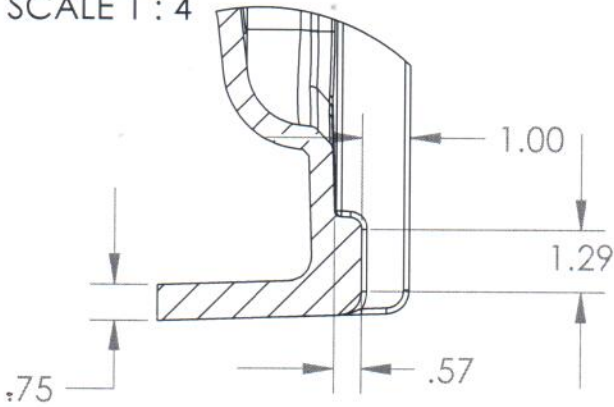


DETAIL E
SCALE 1 : 4



MOLD PART	CATALOG No.	DESCRIPTION
MALE	230992	T 60 x 32 1054-02 Right Male
FEMALE	4309929	T 60 x 32 1054-02 Right ULFF Female
TURTLE		
LIGHTWEIGHT FEMALE 1/2"		
NAME	1054-02 T 60 x 32 Right	
CAST WEIGHT	Approx 140 Lbs	SCALE 1/2" = 1'0" DATE
		PAGE No.